

go green use steam



VS900 S

OWNER'S MANUAL

go green use steam

OWNERS MANUAL

MODEL

VC 4000S/VS4000S

4000S / VS900 S/F

VC4000/VS4000

STEAMY 4000

VAPOR CLEANING SYSTEM

SAFETY INSTRUCTIONS

OPERATIONS

CARE AND MAINTENANCE

TROUBLESHOOTING

WARRANTY

BEFORE USING THIS VAPOR CLEANING SYSTEM
READ THESE INSTRUCTIONS CAREFULLY

CONTENTS

	Page
Introduction	1
Important Safety Instructions	2
Grounding Instructions	3
Specifications	4
Unpacking the Vapor Cleaning System	5
Indicators and Controls	6
Attaching and Removing Accessories	7
Getting Started	8
Troubleshooting and Maintenance	9
Warranty	10

INTRODUCTION

Thank you for purchasing the Vapor Cleaning System.

Before using it, please read this manual completely.

With this purchase of the Vapor Cleaning System you have acquired a highly effective cleaning system which will provide you with efficient cleaning satisfaction.

The Vapor Cleaning System uses the power of vapor heat to clean, and does not require the use of any chemicals or other additives. Your Vapor Cleaning System uses only tap water, which, through heating, is converted into vapor. With the proper use of attachments, cleaning most surfaces is easier and faster.

GENERAL INFORMATION

Your Vapor Cleaning System has the following features:

Portable
Boiler is made of Stainless Steel
Weighs approximately 34 pounds with attachments
Produces heat of up to 275 degrees Fahrenheit
May work up to 4 hours without refilling
Adjustable Pressure up to 75 PSI
Automatic steam pressure relief cap
Detachable hose for easier storage
Water injection option
No chemicals or other additives are needed
Uses only tap water

WARNING!

- * **TO PREVENT SCALDING OR BURNING, KEEP BODY AWAY FROM VAPOR OUTPUT NOZZLES.**
- * **NEVER OPEN FILLER CAP WHILE THE VAPOR CLEANING SYSTEM IS OPERATING.**
- * **NEVER OPEN FILLER CAP WHILE THE VAPOR CLEANING SYSTEM SHOWS ANY PRESSURE ON THE PRESSURE GAUGE.**

IMPORTANT SAFETY INSTRUCTIONS

READ ALL INSTRUCTIONS BEFORE USING THE VAPOR CLEANING SYSTEM.

WARNING:

TO REDUCE THE RISK OF FIRE OR ELECTRICAL SHOCKS, FOLLOW ALL INSTRUCTIONS EXACTLY.

When using the Vapor Cleaning System, always use basic precaution, including the following:

1. Unplug the Vapor Cleaning System from outlet when not in use, or before servicing.
2. Do not allow the Vapor Cleaning System to be used as a toy. Close attention is necessary when the System is being used around children. Never allow children to use or play with the system.
3. Use only as described in the manual. Only use original manufacturer attachments.
4. Do not use the Vapor Cleaning System with a damaged cord or plug. If the Vapor Cleaning System has been dropped, damaged, left outdoors, or submersed in water, return the System to the SERVICE CENTER.
5. Do not pull or carry the Vapor Cleaning System by the cord.
6. Do not use the cord as a handle. Never close a door on the cord. Never pull it around edges or corners. Never run appliances over the cord. Keep cord away from heated surfaces.
7. Do not unplug by pulling the cord. To unplug, grasp the plug, not the cord.
8. Do not handle the plug with wet hands.
9. Do not allow objects to get into the output nozzles. Do not try to operate the Vapor Cleaning System with any of the openings blocked. Keep opening free of dust, lint, hair, or anything that might reduce the Vapor flow.
10. Keep all parts of the body away from output nozzles and moving parts of the System.
11. Use extra care when using the Vapor System on stairs.
12. Use extra care when cleaning around water sources (swimming pools, spas, toilets, etc.)
13. Do not use the Vapor System to clean animals.
14. Never point the steam toward humans or animals.
15. Turn off all controls before unplugging the Vapor System.
16. Do not fill the Vapor System with anything but clean tap water.

GROUNDING

WARNING!

Your Vapor Cleaning System **MUST BE PLUGGED INTO A GROUNDED OUTLET**, or electrical shock can occur. Check with a qualified electrician if you do not know if the outlet is grounded.

Do not modify the plug provided with the Vapor System, if it will not fit the outlet, than have a proper outlet installed by a qualified electrician.

NOTE:

In Canada, the use of a temporary adaptor is not permitted by the Canadian Electrical Code.

NOTE:

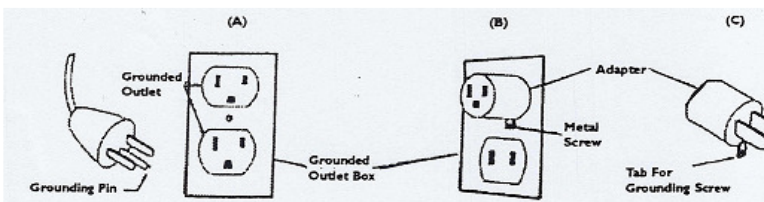
In the event that an extension cord is used with this System, it must be a minimum of 14 gauge, 3 wire, grounded, SJ quality, 60 degree C.

THIS UNIT MUST BE GROUNDED

If the unit should malfunction or break down, grounding provides a path of least resistance of electrical current to reduce the risk of electrical shock. The unit is equipped with a cord having equipment grounding conductor and grounding plug. The plug must be inserted into an appropriate outlet that is properly grounded in accordance with all local codes and ordinances.

This unit is designed for use with a normal 110/120 volt circuit, and has a grounded plug that looks like the plug illustrated in sketch (A). A temporary adaptor that looks like the one illustrated in sketch (B) or (C) may be used to connect the plug to a 2 pole receptacle as shown in sketch (B) if a properly grounded outlet is available. The temporary adapter should only be used until a properly grounded outlet sketch (A) can be installed by a qualified electrician.

Whenever the adapter is used, it must be held in place by a metal screw.



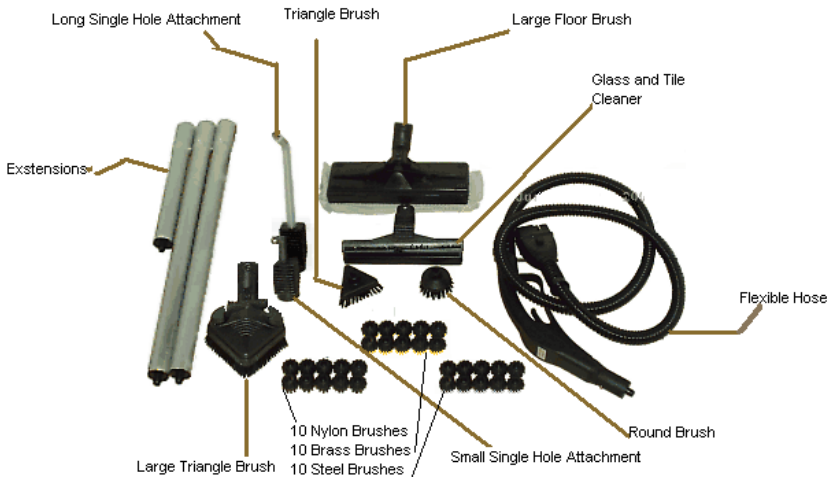
SPECIFICATIONS

MATERIAL	STAINLESS STEEL
POWER SUPPLY	110/120 VOLTS
DIMENSIONS	17 X 12 X 11
MAX PRESSURE	UP TO 75 PSI
WATER CAPACITY	4 LITERS
POWER CONSUMPTION	1500 WATTS
WEIGHT FILLED	36 POUNDS
MAX TEMPERATURE IN BOILER	298 DEG. F.
HEATING TIME	UP TO 20 MINUTES
OPERATING TIME	UP TO 4 HOURS

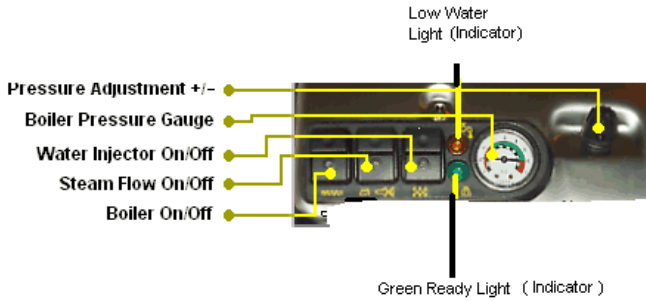
UNPACKING

- * Do not open the box with a sharp tool.
- * Carefully remove the unit from the packing carton.
- * Check that all of the accessories shown are in the box. all of the accessories are packed with the unit, so make sure you don't discard any of them with packing materials. If anything is missing, contact your dealer.

ACCESSORIES



INDICATORS AND CONTROLS



Pressure Relief Cap



ATTACHING AND REMOVING ACCESSORIES

1. Flexible Hose and accessories handle

All accessories attach to the handle with a button that's snaps through a hole on the accessories.

2. Brush attachment (Nozzle)

The brush attachment is easy to slide onto either the hose handle, or the straight extensions. Make sure the attachment is pushed all the way on, and the button snaps through the hole. To remove it, simply push the button and slide the brush off.

3. Straight extension

Extensions may be used in any combination. They connect in the same way as the brush attachment.

4. Large area brush

This can be used with or without extensions. It also attaches with the Button.

5. Triangle brush

This can be used the same way as the large area brush..

6. Medium round or triangle brushes

Push onto the end of the nozzle from the brush attachment. Make sure you push them on firmly so they don't fall off while you are using them.

7. Small detail brushes

Push onto the nozzle from the brush attachment.

OUTPUT NOZZLES AND ATTACHMENTS WILL BE EXTREMELY HOT! TO AVOID INJURY, WARNING!

*** Always make sure you have the steam trigger lock in the lock position before attaching or removing any of the attachments or Brushes.**

*** Use caution and appropriate safeguards when removing/attaching accessories.**

GETTING STARTED

- STEP 1. Make sure the Vapor System is not plugged in and is cool, the pressure gauge must be on zero.
- STEP 2. Press down the pressure relief cap and turn counter clockwise until it comes out.
- STEP 3. Fill filler bottle with clean tap water, place bottle into the tank opening and fill with 4 liters of clean tap water. To replace cap, press down while turning clockwise. Do not over tighten the cap.
- STEP 4. Plug the hose into the front of the unit by lifting the hinged flap on the front of the unit and pushing in the hose end until it locks into place.
- STEP 5. Plug the power cord into a regular 110/120 grounded outlet.
- STEP 6. Push the power boiler on/off switch and the steam on/off switch (see page 6) into the “ON “ position.
- STEP 7. When the green steam ready light is on, the unit is ready for use.
- STEP 8. Hold the nozzle over the sink for a few seconds, to allow any air that may be in the tank or hose to escape.
- STEP 9. Wait for the green ready light until its stays on again.

During operation, the steam ready light will go on and off as the unit requires more heat to maintain pressure.

When the low water indicator light comes on, you need to add water. Go back to STEP 1 at the top of this page.

You can adjust the steam pressure by turning the Pressure Adjustment Knob (see page 6).

To use the water injection, aim the nozzle and push the Water Injector Button into the on position (see page 6).

TROUBLESHOOTING AND MAINTENANCE

MAINTENANCE:

Your Vapor System is made of high quality materials and requires very little maintenance.

- * After using, store your Vapor System in a dry safe place
- * If you are not going to use it again for several weeks, it is advisable to empty the tank. To do this, you must let the unit cool down completely, then then remove the Pressure Relief Cap, remove the drain plug (see picture below) to empty the boiler tank completely.
- * Always clean the Vapor System and the and the accessories after each use. Do not leave the unit outside, overnight or in the rain.
- * Do not allow water to get inside, other than in the boiler.

After approximately 20 hours of use, clean the boiler with the same solution you clean your coffee maker. Pour the solution into to the tank; let it sit for a few minutes, then remove the nut from the bottom of the unit to allow it to drain completely.



TROUBLESHOOTING:

Heater On/Off switch or Vapor On/Off switch won't turn on:

Check to see if the cord and plug are in good shape and the plug is plugged into the outlet. Try another outlet, and then check the breaker box.

The lights are on, but the system won't steam:

Check the trigger lock on the handle.

Water has bad odor:

Clean the water tank as described in the MAINTENANCE section above. If troubleshooting does not resolve the problem, call your dealer.

LIMITED WARRANTY

The factory warrants to the original purchaser that this product, excluding accessories shall be free from defects in manufacturing and material, under normal and reasonable use for a period of one year parts and labor. A lifetime warranty is granted for the Boiler. Three years on parts from date of sale. The sole and exclusive remedy under this warranty is repair or replacement at the manufacturer's option, of any product that proves to be defective in manufacture or materials within the above stated period.

There will be no cash refunds on equipment that has been used.

For this warranty to apply, the owner must follow the instructions provided in this manual completely. A copy of the original invoice must accompany the unit when it is returned for service, together with a note explaining the problem. It must be shipped, in a protective carton, preferable in the original box if possible. The manufacturer recommends that the shipment be insured against loss or damage in transit. The manufacturer or dealer is not responsible for damage or loss in transit.

Certain parts of the equipment are not covered by warranty because in the course of use, normal wear and tear will occur. Equipment not covered by warranty includes: cords, hoses, switches, wheels and all accessories.

The warranty is void if:

1. Damage results from accident, misuse, fire, act of god, improper operating, and use of voltage other than indicated in this manual or unauthorized repair or alterations.
2. The product has been used with any substance other than clean tap water.
3. The product has been used by an unauthorized person.

The manufacturer is not liable for any consequential or incidental damage, including personal injury, property damage, or monetary loss that may be incurred from purchase, use, or improper use of the product. Maximum liability shall not exceed the purchase price of the product, paid by the original purchaser. All expressed and implied warranties for this product, including implied warranties of merchantability and fitness for a particular purpose, are limited in duration to the warranty period, and no warranties, expressed or implied, will exceed the warranty period. Some states do not allow the exclusion or limitation or consequential damages, so the above exclusion may not apply to you. This warranty gives you special rights which may vary from state to state.

The factory does not authorize any party to assume any other warranty obligation with the sale of this product.

For service please contact your dealer.

